

**Scope**

This specification applies to built-in DC stabilized power supply, mUZP-120-\*\*-J\*\*\*-\*. In addition, all items in this specification shall be provided at nominal temperature and humidity unless otherwise specified.

**Model Name Coding**

Example : mUZP-120-12-J B 0 □-C

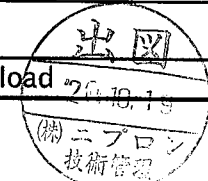
①      ②      ③      ④ ⑤ ⑥ ⑦ ⑧

- ① Series Name....."mUZP" : mUZP series
- ② Continuous output power....."120" : 120W (12-J0L type, 12-JB0 type: 100W)
- ③ Output voltage....."12" : 12V, "24" : 24V
- ④ Input/Output connector type....."J" : Nylon connector
- ⑤ Optional joint connector....."0" : without connector, "B" : with connector
- ⑥ Presence or absence of function
  - "L" : Without output ON/OFF control signal, Without variable resistor to adjust output voltage
  - "0" : With output ON/OFF control signal, With variable resistor to adjust output voltage
  - "H" : With output ON/OFF control signal, With variable resistor to adjust output voltage, high-efficiency type
- ⑦ Modification....."Blank" : Standard, "1 to 9" or "A to Z" A~Z : Modification symbol
- ⑧ Chassis....."C" : With chassis, "K" : With chassis and cover, "Blank" : Without chassis and cover

**General specification**

Items		Specification				Measurements conditions, etc.	
		mUZP-120-					
		12		24			
		-J0L, -JB0	-JBH	-J0L, -JB0	-JBH		
AC Input	Rated Voltage	100-240VAC				Worldwide range	
	Voltage range	85-264VAC				Load factor shall be 95-100% in range of 85-90VAC input.	
	Current	At 100VAC	1.16A typ	1.35A typ	1.35A typ	1.32A typ	At continuous rated output 1
			1.87A typ	1.83A typ	1.82A typ	1.78A typ	At continuous rated output 2
		At 200VAC	0.62A typ	0.73A typ	0.72A typ	0.71A typ	At continuous rated output 1
			1.00A typ	0.98A typ	0.98A typ	0.96A typ	At continuous rated output 2
	Rated Frequency	50-60 Hz				Frequency range 47-63Hz	
	Inrush current	At 100VAC	17A typ				Power thermistor system At cold start(25°C)
		At 200VAC	34A typ				
	Efficiency	At 100VAC	87.5% typ	89.5% typ	90.0% typ	92.0% typ	At 100W load
At 200VAC		90.0% typ	91.5% typ	92.0% typ	94.0% typ		
Power factor	At 100VAC	99% typ				At continuous rated output 1	
	At 200VAC	90% typ					
Input voltage momentary fluctuation	70VAC/500m sec						
	40VAC/100m sec					At 90W load	

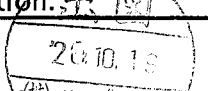
Note:



Drawn by	Yodo	Checked by	Yamada	Approved by	Yamamoto	Model: mUZP-120-**-J***-*	Drawing No. 3 5 1 1 - 0 1 - 4 - 5 2 0
							1/11

Items			Specification		Measurements conditions, etc.
			12	24	
Environment	Operating Temp.	Natural air cooling	-10 to 60°C (Open frame)		Refer to "Output derating specification"
			-10 to 55°C (With chassis and cover)		
	Forced air cooling	-10 to 70°C (Open frame)		Refer to "Output derating specification"	
		-10 to 70°C (With chassis and cover)			
	Operating Humidity		20 to 90%RH		
	Storage Temp./Humidity		-20 to 85°C/10 to 95%RH		There shall be no condensation
Vibration		To endure the vibration acceleration of 2G with vibration frequency of 10 to 55Hz for 10 sweep cycles in each X,Y,Z direction		Follow JIS-C-60068-2-6 At no operation	
Mechanical Shock		Left one bottom edge of the unit 50mm high with the opposite edge placed in the test bench, and let it fall. Repeat 3 times for each of 4 bottom edges, and no malfunction shall be observed.		Follow JIS-C-60068-2-31 At no operation	
Insulation	Dielectric strength		3kVAC/1 minute between input and output/RC		Cut-off current 10mA
			2kVAC/1 minute between input and FG		Cut-off current 10mA
			500VAC/1 minute between each output/RC/FG		Cut-off current 100mA
	Insulation resistance		50mΩ min. between each input/output/RC/FG		At 500VDC
Leakage current		0.06mA typ.(At 100VAC), 0.12mA typ.(At 200VAC)			
Others	Electrostatic Discharge		IEC61000-4-2 test level 3 compliant (Contact discharge ±6kV,10 times)		Apply to FG and chassis. There shall be no malfunction, nor failure
	Line noise immunity		±2000V (pulse width of 100/1000nS, cycle period of 30 to 100Hz, Normal/Common mode with Positive/Negative polarity for 10minutes)		There shall be no fluctuation of DC output or malfunction.
	Impulse voltage immunity		IEC-61000-4-5(Installation environment 3) compliant; apply 5 times each of Common mode ±4kV and Normal mode ±2kV		There shall be no malfunction, nor failure
	Conducted emmision		VCCI,FCC,CISPR22, and EN55022 class B compliant		Rated input and continuous rated output. Measured with chassis.
	Harmonic current regulations		IEC61000-3-2(edition 2.1) class D, EN61000-3-2(A14) class D compliant		Rated input and continuous rated output.
	Safety standard		ANSI/AAMI ES60601-1		IEC60601-1(3rd,MOOP)
			UL60950-1,CSA60950-1(c-UL)		
			CE marking(IEC62368-1) $\Delta\Delta$		
			PSE(Ordinance item 2) compliant		
	Cooling system		Natural air cooling		
Dimension and Weight		62mm×24mm×155mm (W×H×D) /250g typ.		Without chassis and cover	
		72mm×38.8mm×185mm (W×H×D) /430g typ.		With chassis and cover	
Warranty		Three years after delivery: if any defects belong to us, the defective unit shall be repaired or replaced at our cost.		Except for errors caused by operation not specified in this specification.	

Note:

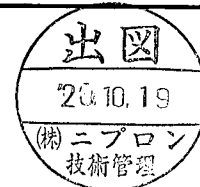
  
 $\Delta$  × 1:2020.06.16 Nishigawa I-320203A  
 $\Delta$  × 1:2020.02.05 Nishigawa I-320203

Drawn by	Yodo	Checked by	Yamada	Approved by	Yamamoto	Model:	mUZP-120-**-J***-*	Drawing No.	3511-01-4-520A
									2/11

Output specification							
Items		Specification				Measurements conditions, etc.	
		12		24			
		-JOL,-JBO	-JBH	-JOL,-JBO	-JBH		
Output rating	Rated Voltage	12V		24V		At rated input. Refer to "Output derating specification".	
	Continuous rated output 1 (Natural air cooling)	Current	8.4A	10.0A	5.0A		
		Power	100.8W	120.0W	120.0W		
	Continuous rated output 2 (Forced air cooling)	Current	13.5A		6.75A		
		Power	162W		162W		
	Peak rated output (10s Max.)	Current	16.7A		8.4A		
Power		200.4W		201.6W			
Output characteristics	Factory Setting		-JOL: 12V±4% -JBO: 12V±2%	12V±2%	-JOL: 24V±4% -JBO: 24V±2%	24V±2%	At continuous rated output1
	Adjustable Voltage Range		12V -5%, +10%		24V -5%, +20%		*1.
	Static Input Regulation		48mV max.		94mV max.		
	Static Load Regulation		100mV max.		150mV max.		
	Temperature Regulation		0.02%/°C max.				
	Ripple Voltage	0 to +70°C	120mVp-p max.				Connect 150mm max. lead wire to output connectors, and then connect a 10uF electrolytic capacitor with a 0.1uF ceramic capacitor in parallel to the other ends of the wires to measure by an oscilloscope with 100MHz frequency band.
		-10 to 0°C	160mVp-p max.				
	Spike Voltage	0 to +70°C	150mVp-p max.				
-10 to 0°C		180mVp-p max.					
Protection circuit	Over Current Protection	OCP point	101% min. of peak rated current				
		Method	Blocking oscillation				
		Recovery	Automatic recovery				
	Over Voltage Protection	OVP point	13.8 to 16.2V		30.0 to 35.0V		
		Method	Output shutdown(latch lock)				
		Recovery	Reclosing of AC input				

Note:

\*1. Model:mUZF-120-\*\*-J\*L-\* is equipped without this function.

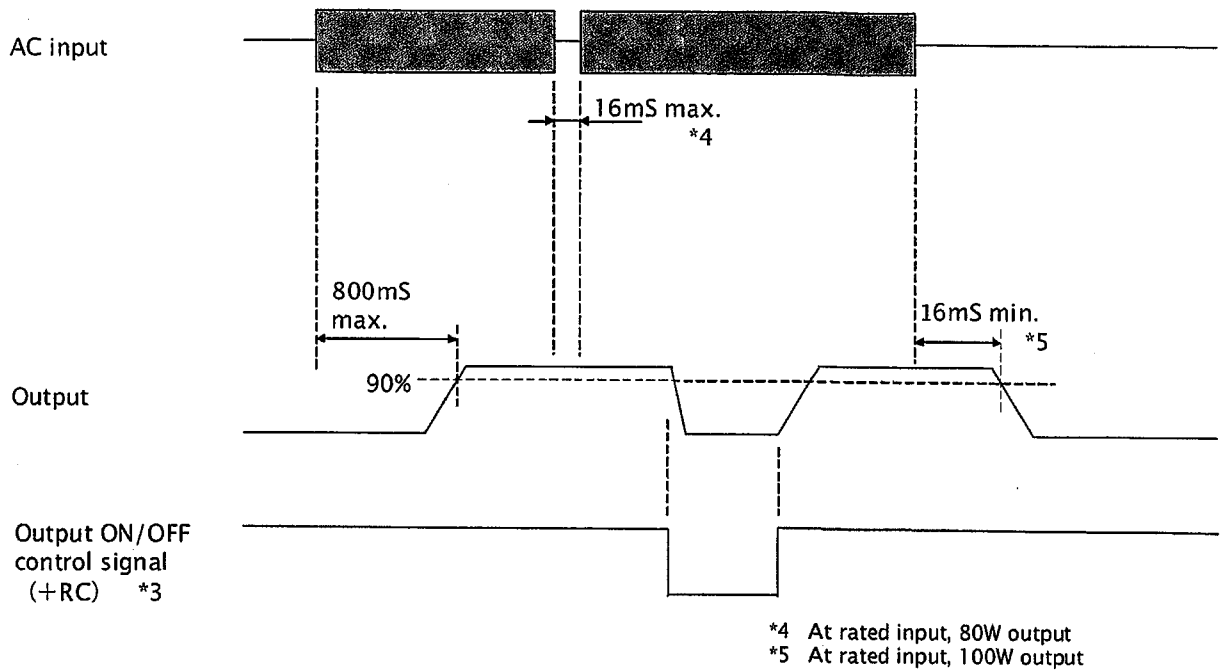


Drawn by	Yodo	Checked by	Yamada	Approved by	Yamamoto	Model: mUZF-120-**-J***-*	Drawing No. 3 5 1 1 - 0 1 - 4 - 5 2 0
							3/11

Signal Input/Output Specification		Specification	Signal circuit						
Items		mUZP-120							
Input signals	*2. Output ON/OFF Control signal (RC signal)	<p><u>Operating mode</u></p> <table border="1"> <tr> <td>Between +RC and -RC</td> <td>CH1</td> </tr> <tr> <td>SW ON(4.5V min.)</td> <td>ON</td> </tr> <tr> <td>SW OFF(0.8V max.)</td> <td>OFF</td> </tr> </table>	Between +RC and -RC	CH1	SW ON(4.5V min.)	ON	SW OFF(0.8V max.)	OFF	<p><u>Connecting example in the case of using external power supply</u></p>
		Between +RC and -RC	CH1						
SW ON(4.5V min.)	ON								
SW OFF(0.8V max.)	OFF								
<p><u>External power supply and Load-limiting resistor</u></p> <table border="1"> <tr> <th>External power supply : E</th> <th>Load-limiting resistor:R</th> </tr> <tr> <td>4.5 to 12.5Vdc</td> <td>Not required</td> </tr> <tr> <td>12.5 to 30Vdc</td> <td>1.5kΩ</td> </tr> <tr> <td>30 to 48Vdc</td> <td>8.2kΩ</td> </tr> </table> <p><u>Shorting Plug</u> With shorting plug(CN2) connected, Output starts up when AC input is applied regardless of RC signal. To control start/stop of output by RC signal, uncap shorting plug of CN2.</p> <p>Besides, when start/stop of output controlled by RC signal, make sure to operate RC signal after equipped switch or relay etc. in the route.</p> <p>Note: Shorting Plug(CN2) is primary circuit components. Make sure to operate the plug after the AC input is turned off.</p>	External power supply : E	Load-limiting resistor:R	4.5 to 12.5Vdc	Not required	12.5 to 30Vdc	1.5kΩ	30 to 48Vdc	8.2kΩ	
External power supply : E	Load-limiting resistor:R								
4.5 to 12.5Vdc	Not required								
12.5 to 30Vdc	1.5kΩ								
30 to 48Vdc	8.2kΩ								
Note:		<p>*2. mUZP-120-**-J*_L-*is equipped without this function.</p> <div style="text-align: right;"> </div>							

Drawn by	Yodo	Checked by	Yamada	Approved by	Yamamoto	Model:	mUZP-120-**-J***-*	Drawing No.	3 5 1 1 - 0 1 - 4 - 5 2 0	4/11
----------	------	------------	--------	-------------	----------	--------	--------------------	-------------	---------------------------	------

●Sequence Timing Diagram



\*3 mUZP-120-\*\*-J\*L is equipped without the function of output ON/OFF control.

Note:



Drawn by	Yodo	Checked by	Yamada	Approved by	Yamamoto	Model: mUZP-120-**-J***-	Drawing No. 3 5 1 1 - 0 1 - 4 - 5 2 0
							5/11

**●Peak Output Specification**

Peak output current shall meet the conditions below.

- Duty ratio of peak current shall be 30% or less.
- Energized period of peak current shall be 10 seconds or less.
- In the case of the ambient temperature is 40°C or higher with natural air cooling, the energized period of peak current shall be 5 seconds or less.
- The value resulting from the formula below shall not exceed the continuous rated current,  $I_o$ , after derating specification in "Output derating" item.

$$\sqrt{((I_p^2 \times D) + (I_m^2 \times (1 - D)))} \leq I_o$$

$I_p$  = Peak current value

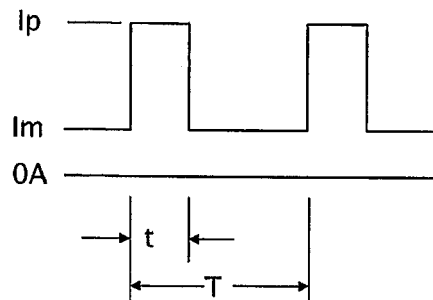
$I_m$  = Min. current value

$D$  = Duty ratio,  $t/T$

$t$  = Pulse width of peak current

$T$  = Cycle

$I_o$  = Conditions rated current specified in "Output derating" item



Note:

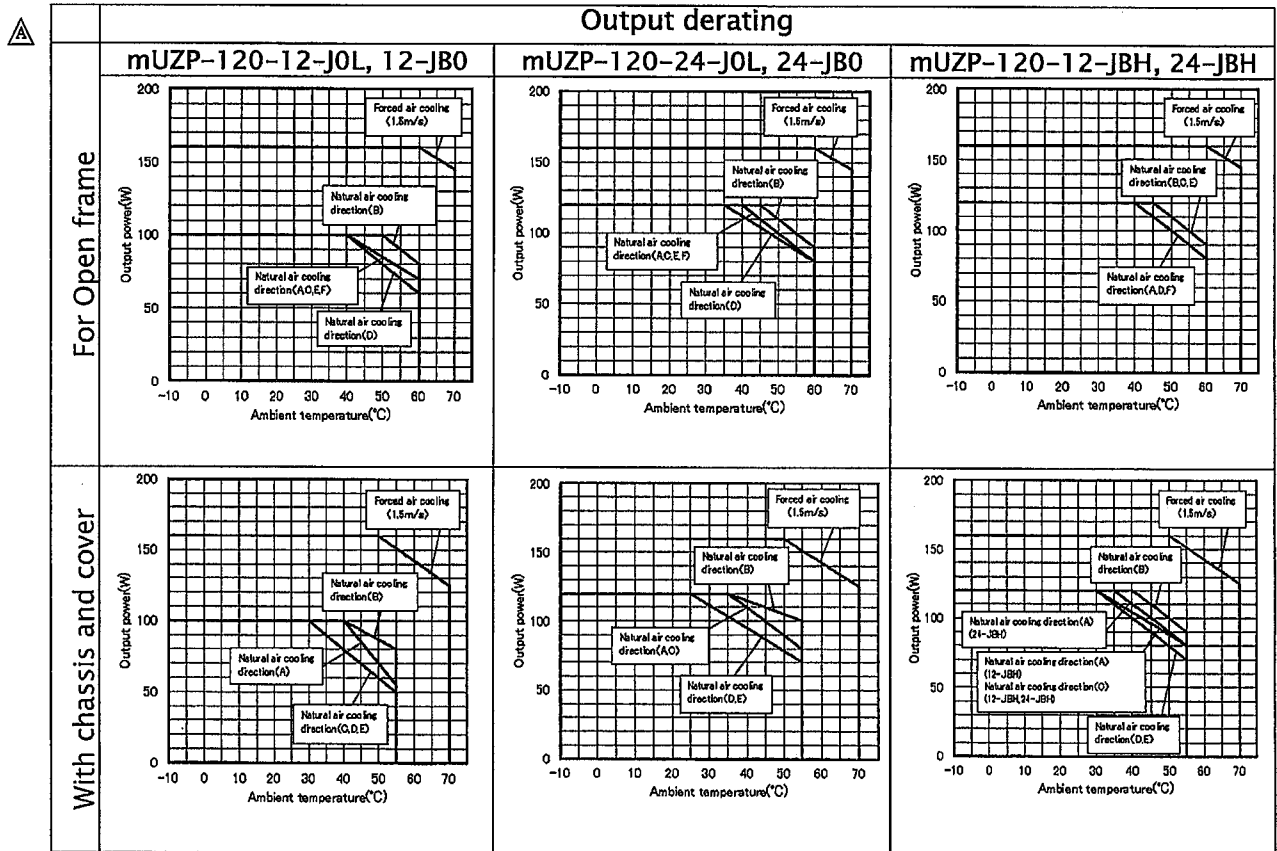
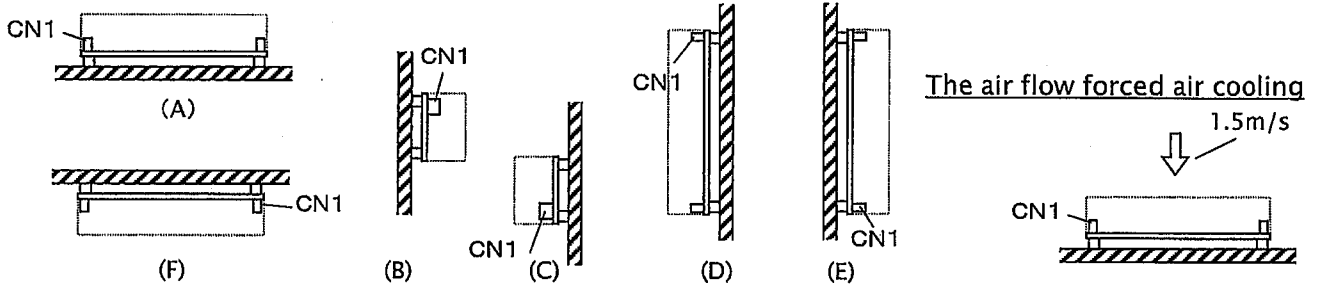


Drawn by	Yodo	Checked by	Yamada	Approved by	Yamamoto	Model: mUZP-120-**-J***-*	Drawing No. 3 5 1 1 - 0 1 - 4 - 5 2 0
							6/11

**● Output Derating Based on Ambient Temperature, Installation Direction and Cooling Condition**

Follow the derating diagram below for output according to the ambient temperature and installation direction.

In case of using the type with chassis and cover, input voltage range shall be 90VAC or higher, and shall not use in direction(F). Also, forced air cooling condition in the diagram shall be provided that the air flow 1.5m/s is applied from the direction shown below.

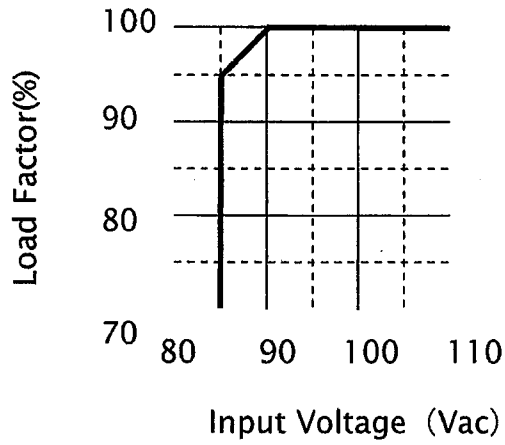


△ × 2:2020.04.10 M. Okudaira I-320414

Drawn by <b>Yodo</b>	Checked by <b>Yamada</b>	Approved by <b>Yamamoto</b>	Model: <b>mUZP-120-**-J***-*</b>	Drawing No. <b>3511-01-4-520A</b> 7/11
-------------------------	-----------------------------	--------------------------------	-------------------------------------	--

● Output Derating vs. Input Voltage

When input voltage is 90VAC or lower, follow the derating diagram below to reduce the continuous rated current and power.



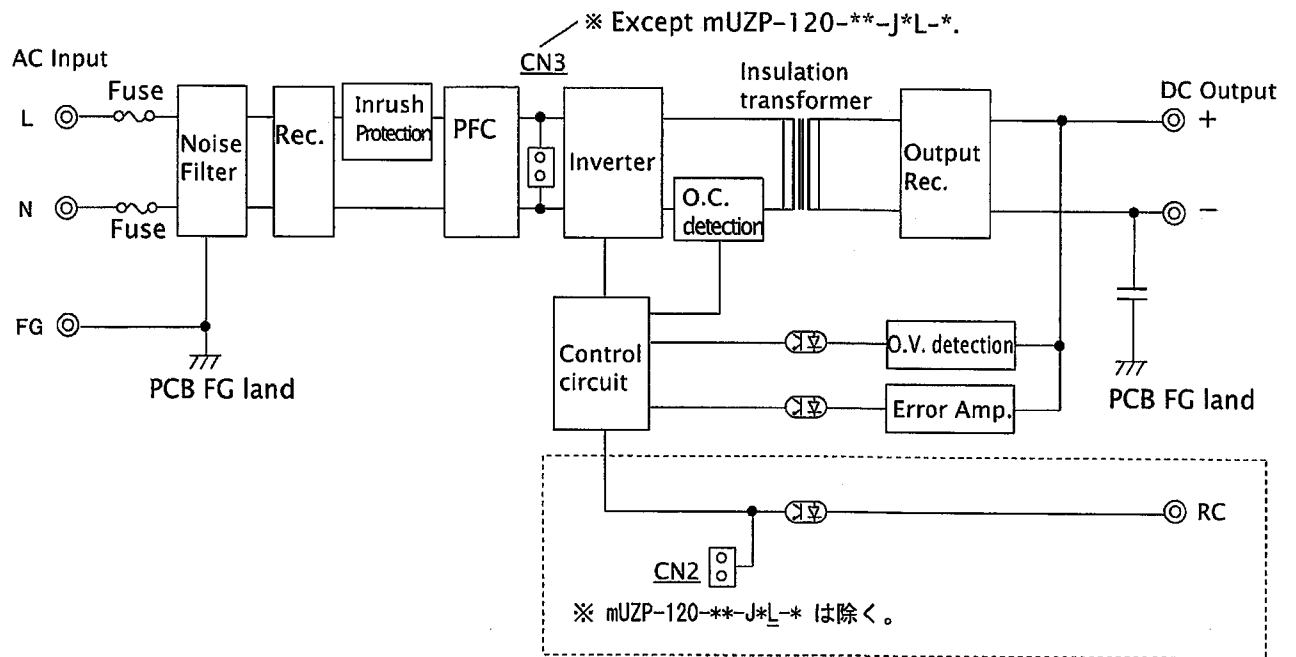
Note:



Drawn by	Yodo	Checked by	Yamada	Approved by	Yamamoto	Model: mUZP-120-**-J***-*	Drawing No. 3511-01-4-520 8/11
----------	------	------------	--------	-------------	----------	------------------------------	--------------------------------------



● Circuit Block Diagram



Note:

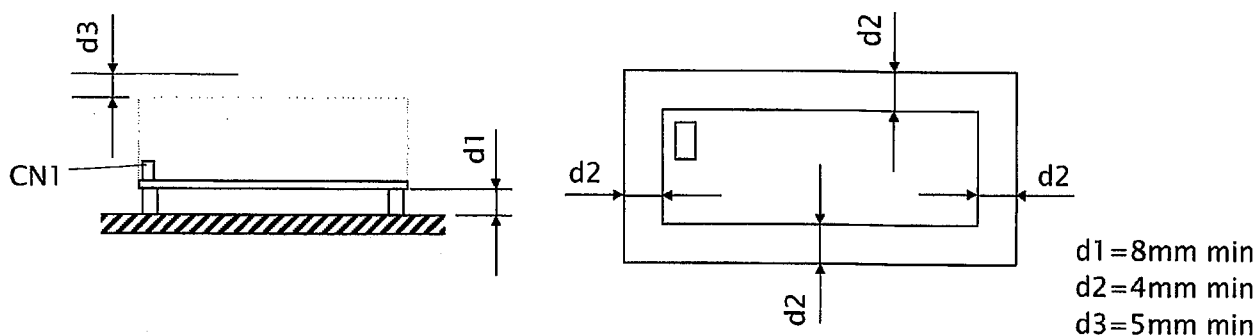


Drawn by	Yodo	Checked by	Yamada	Approved by	Yamamoto	Model: mUZP-120-**-J***-*	Drawing No. 3 5 1 1 - 0 1 - 4 - 5 2 0 9/11
----------	------	------------	--------	-------------	----------	------------------------------	--

Nipron Co.,Ltd.

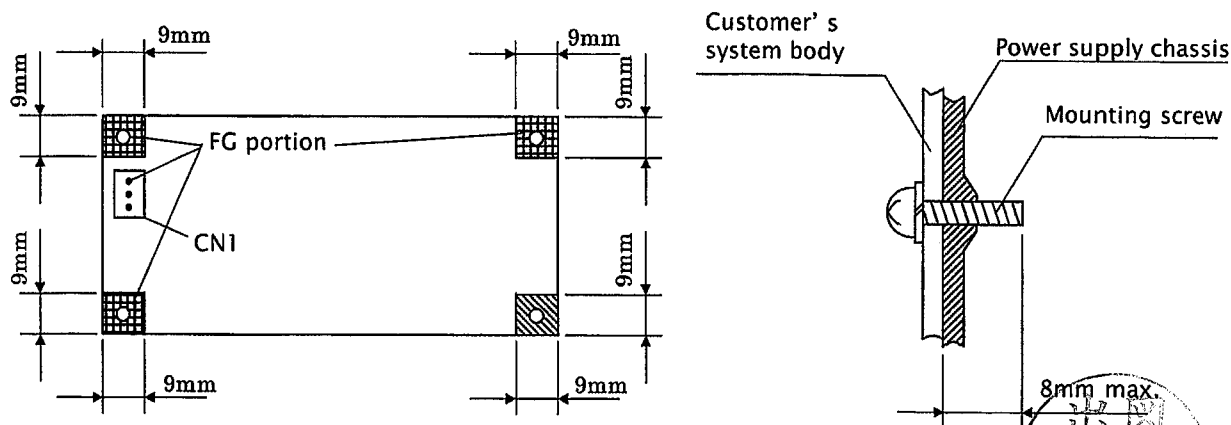
**●Power Supply Installation**

- To meet standard of insulation and dielectric withstanding, install the power supply to keep the dimensions, d1,d2 and d3, shown in the drawing below.
- Install the power supply so that natural air convection and air ventilation are expected to keep the temperature rise around the power supply low.

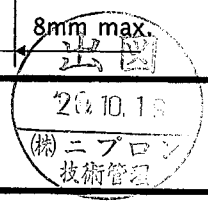


**●Mounting Screws and Grounding of Power Supply**

- Fix 4 screws firmly at power supply mounting holes.
- Use 3mm diameter screws for mounting power supply.
- Do not use the metal mounting parts that exceed the hatched area shown below.
- In mounting the unit with chassis and cover, do not use any screws that exceed the dimension shown below.
- Make sure to connect FG terminal of CN1 or FG portion of PCB to customer's safety grounding. Also, make sure to connect FG terminal of CN1 to the safety ground of the customer's system in the case of safety standard application.
- Be recommended to connect the FG portion of solder face of PCB to customer's metal system body with metal parts such as metal spacers to reduce noise.



Note:



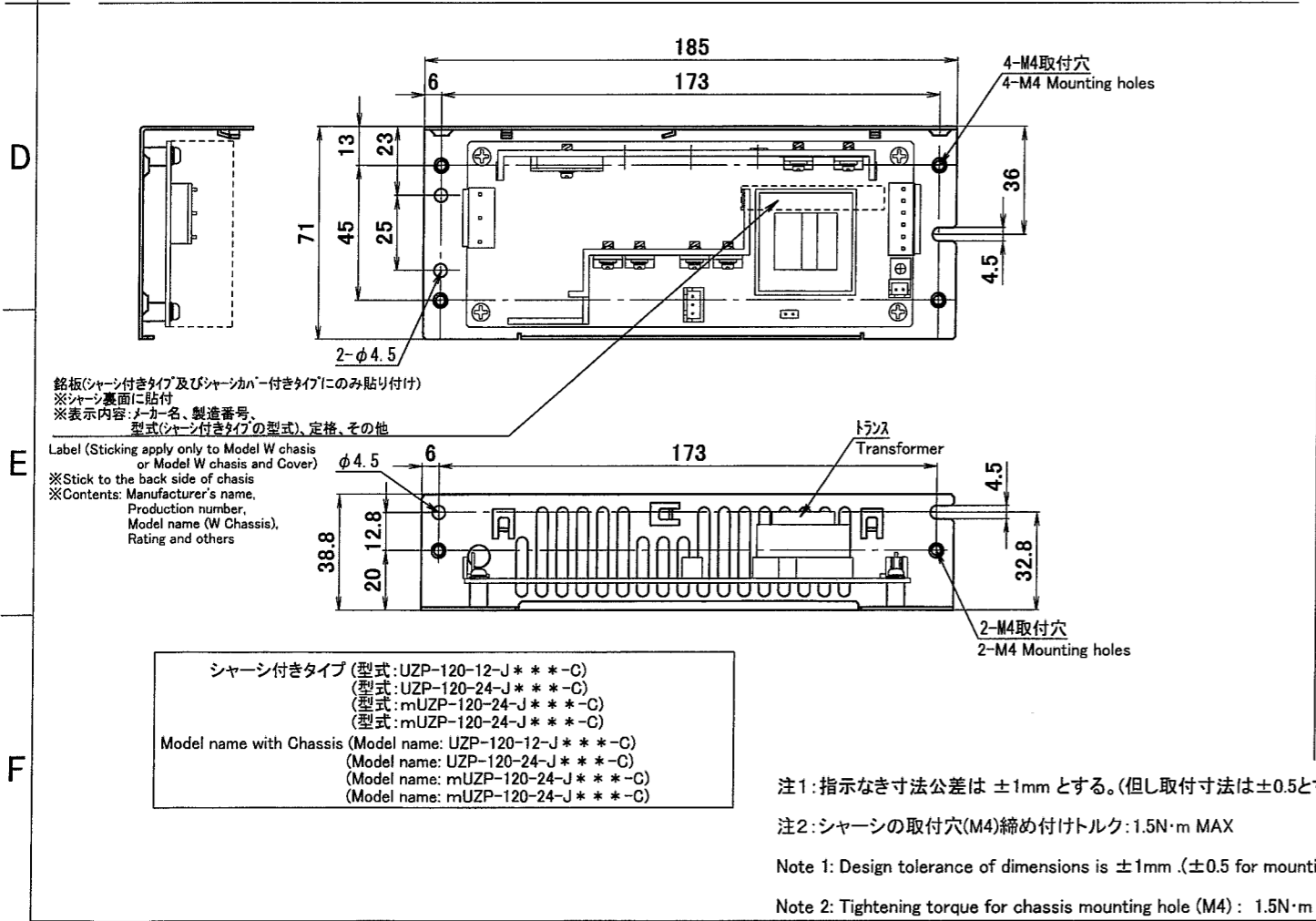
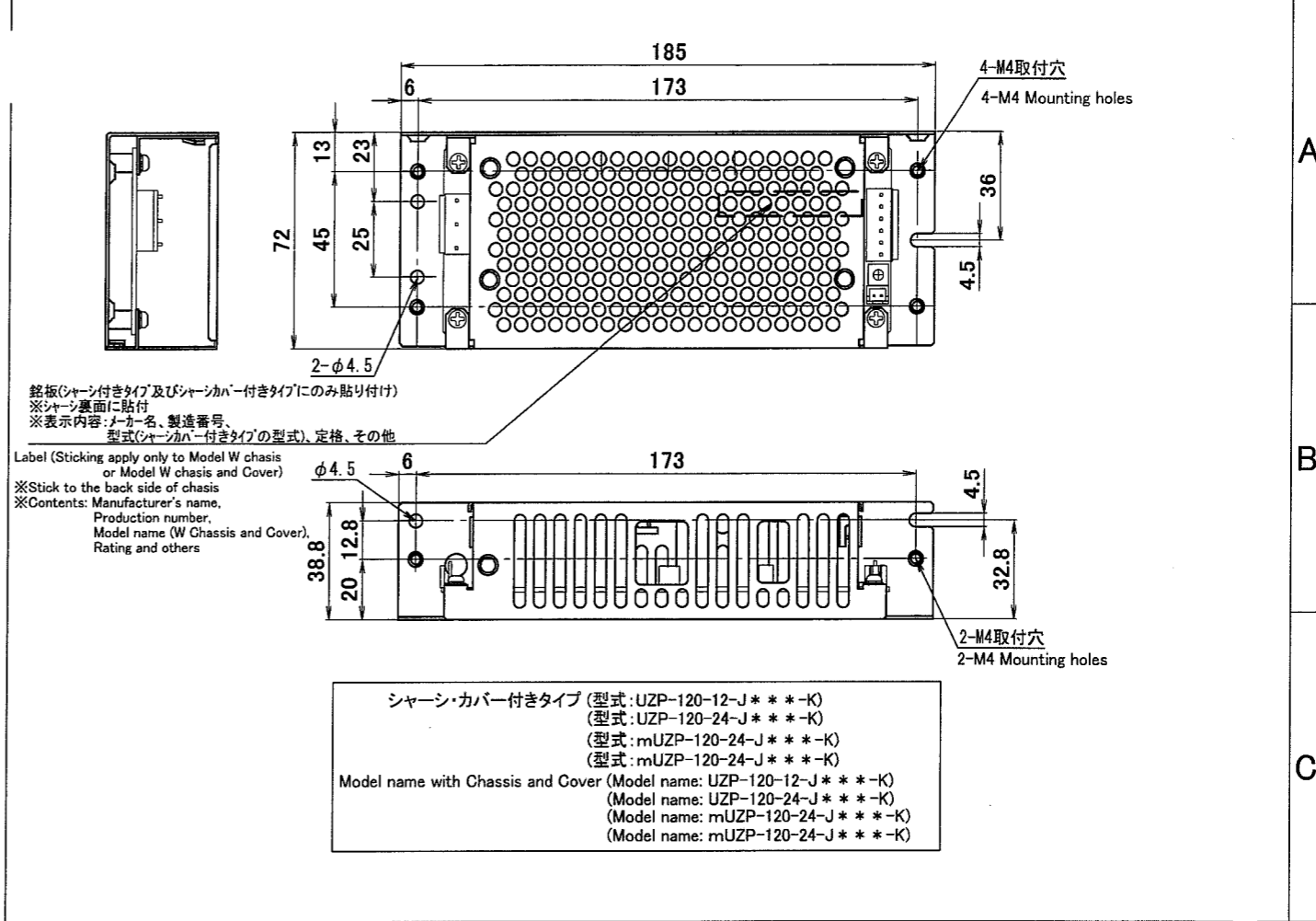
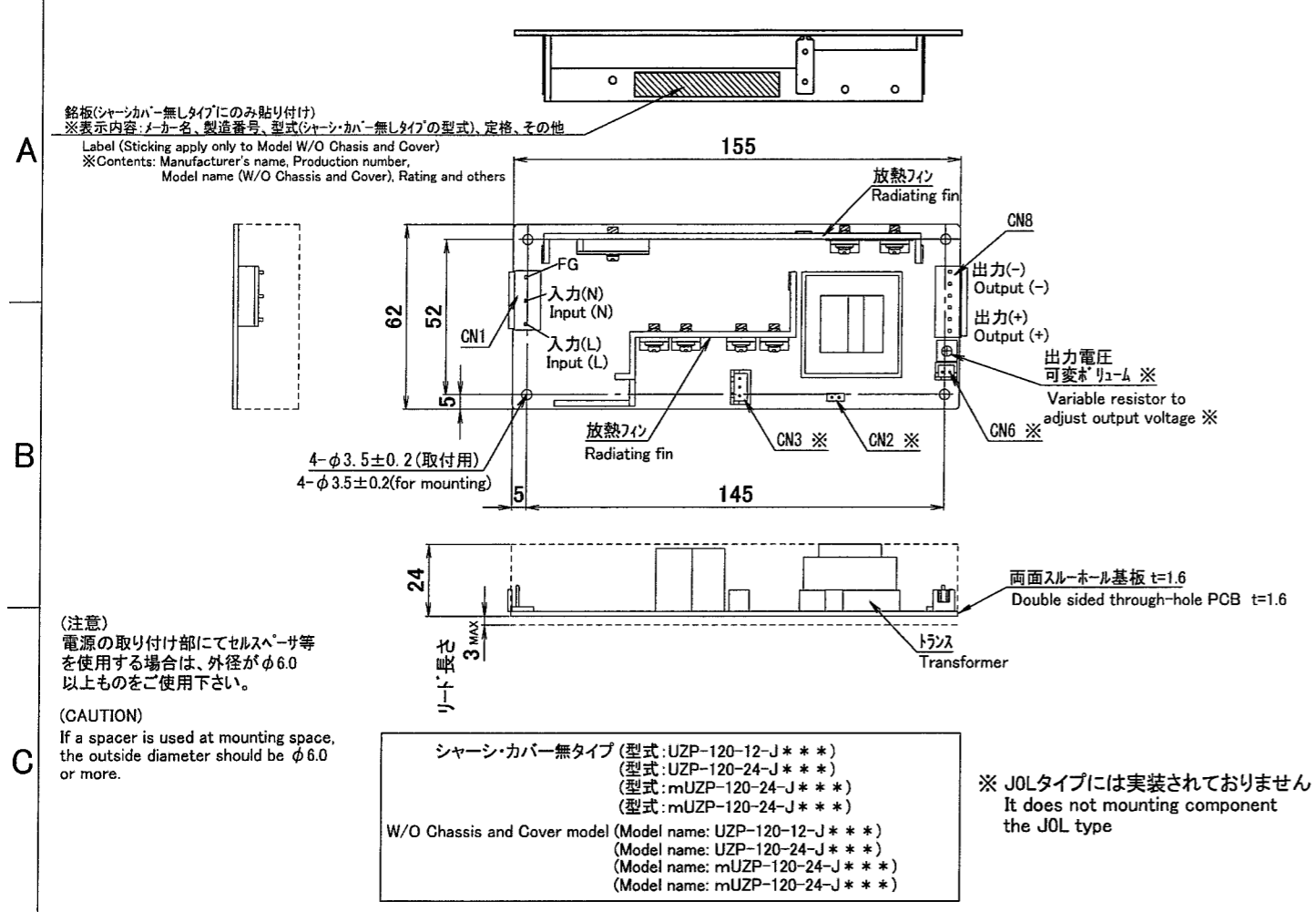
Drawn by	Yodo	Checked by	Yamada	Approved by	Yamamoto	Model:	mUZP-120-**-J***-*	Drawing No.	3 5 1 1 - 0 1 - 4 - 5 2 0
									10/11

Precautions before use

1. Grounding ⚠ Warning  
 This unit is designed and produced to meet Class I equipment. Make sure to connect the grounding terminal of the unit to grounding in a proper way for safety.
2. Electric shock ⚠ Warning  
 This unit is designed and produced as built-in equipment and high-voltage part inside. Make sure to securely install in the equipment in a proper way to prevent electric shock. Also, shorting plug (CN2) for RC signal setting is primary circuit components. When the plug is handled, make sure to turn off AC input before the handling of the plug.
3. PCB handling ⚠ Caution  
 In handling, use the edge of the PCB so as not to touch the component sides. Lift the PCB from the equipment with filter pieces in installation. Besides, handle the PCB with care to prevent twisting or bending of the PCB board as it has SMT components on it.
4. Output short circuit ⚠ Caution  
 Prevent shorting outputs. When output is shorted, capacitors inside the power supply rapidly discharge leading to fire and/or spark resulting in serious accident. It also shortens the lifetime of the power supply.
5. Inrush current control circuit ⚠ Caution  
 To prevent inrush current into rectifying capacitors when AC input is turned on, a power thermistor is used. When AC input is turned on before the temperature of the thermistor goes low after turning off, huge inrush current may occur. Make sure to keep 60-second period at least before reclosing of AC input.
6. Output energy ⚠ Caution  
 The output energy of this unit is 240VA or more, and regarded dangerous. Any operators must not touch the unit. Besides, apply necessary measures to prevent service personnel or service tools to touch accidentally the equipment with this unit installed. Make sure that the output voltage of this unit goes down to the safe level before servicing after the input voltage is turned off.



Drawn by	Yodo	Checked by	Yamada	Approved by	Yamamoto	Model: mUZP-120-**-J***-*	Drawing No. 3 5 1 1 - 0 1 - 4 - 5 2 0 11/11
----------	------	------------	--------	-------------	----------	------------------------------	---



### ※コネクタピンアサイン

JOLタイプには実装されておりません。 It does not mounting component the JOL type

CN1 (Input)			CN8 (Output)			CN3 (Capacitor package Input/Output)			CN6 (ON/OFF Control)		
PIN No.	FUNCTION	CONNECTOR TYPE	PIN No.	FUNCTION	CONNECTOR TYPE	PIN No.	FUNCTION	CONNECTOR TYPE	PIN No.	FUNCTION	CONNECTOR TYPE
1	AC(L)	B3P5-VH (JST)	1~3	-DC	B6P-VH (JST)	1	380V(Pri)	B3B-XH-A (JST)	1	+RC	B2B-XH-A (JST)
2	AC(N)		4~6	+DC		2	OV(Pri)		2	-RC	
3	FG		1		3		3				
4											

※CN1 適合ハウジング: VHR-5N (JST) 適合ターミナル: リール: SVH-21T-P1.1 (JST) ハルク: BVH-21T-P1.1 (JST)  
 ※CN1 Applicable housing: VHR-5N (JST) Applicable terminals: Reel: SVH-21T-P1.1 (JST) Bulk: BVH-21T-P1.1 (JST)

※CN8 適合ハウジング: VHR-6N (JST) 適合ターミナル: リール: SVH-21T-P1.1 (JST) ハルク: BVH-21T-P1.1 (JST)  
 ※CN8 Applicable housing: VHR-6N (JST) Applicable terminals: Reel: SVH-21T-P1.1 (JST) Bulk: BVH-21T-P1.1 (JST)

※CN3 適合ハウジング: XHP-3 (JST) 適合ターミナル: リール: SXH-001T-P0.6 (JST) ハルク: BXH-001T-P0.6 (JST)  
 ※CN3 Applicable housing: XHP-3 (JST) Applicable terminals: Reel: SXH-001T-P0.6 (JST) Bulk: BXH-001T-P0.6 (JST)

※CN6 適合ハウジング: XHP-2 (JST) 適合ターミナル: リール: SXH-001T-P0.6 (JST) ハルク: BXH-001T-P0.6 (JST)  
 ※CN6 Applicable housing: XHP-2 (JST) Applicable terminals: Reel: SXH-001T-P0.6 (JST) Bulk: BXH-001T-P0.6 (JST)

16.2.03 (株)ニプロン 技術管理

DRAWN BY	CHECKED BY	CHECKED BY	APPROVED BY	SCALE	MATERIALS	TITLE
坂本 (和)	石橋	山崎	山崎	1/1		
ISSUED	2016.01.13			3RD ANGLE PROJECTION	FINISH	DRAWING NO. 3431-01-3-050

注1: 指示なき寸法公差は ±1mm とする。(但し取付寸法は ±0.5とする。)  
 注2: シャーシの取付穴(M4)締め付けトルク: 1.5N・m MAX  
 Note 1: Design tolerance of dimensions is ±1mm (±0.5 for mounting dimension).  
 Note 2: Tightening torque for chassis mounting hole (M4): 1.5N・m MAX